



BIFENIX®

# ENSO

Quick Installation Guide

## Package Content:

- ⊖ **ENSO Case**
- ⊖ **ENSO Quick Installation Guide**
- ⊖ **Accessory Pack**

3x Motherboard standoff-M3 #6-32 L3mm

---

8x 3.5'HDD screw-6#-32\*5BM

---

4x HDD tray fasten screw-#6-32\*L12MM

---

6x PSU Screw Hex-#6-32\*5\*7.5

---

22x Motherboard Standard Screw- PWM M3\*5\*7.5

---

6x Cable tie- 2.5mm x 150mm

---

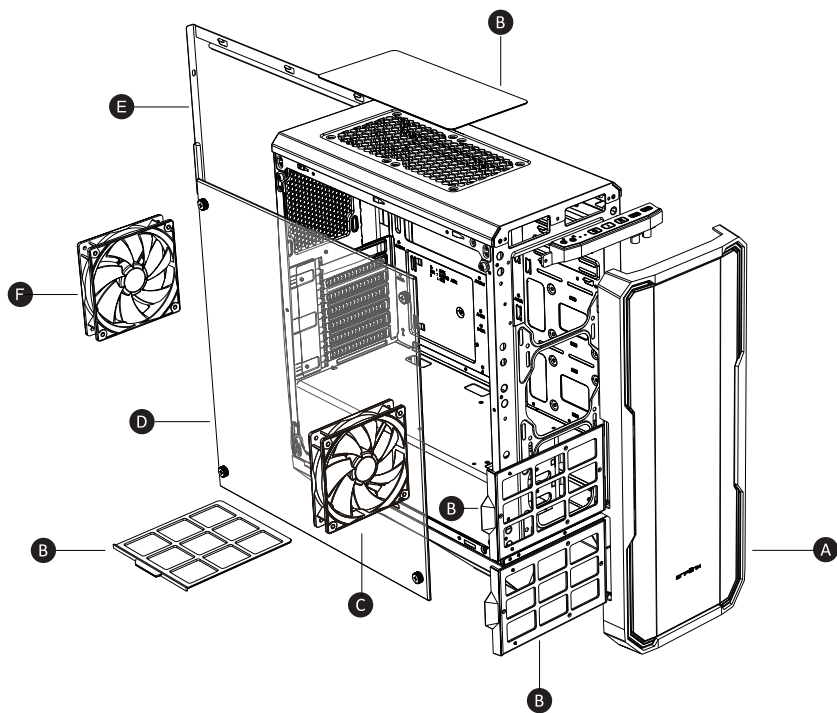
1x Speaker

---

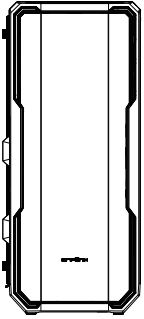
1x Tempered Glass Standard Thumbscrews-#6-32\*10

---

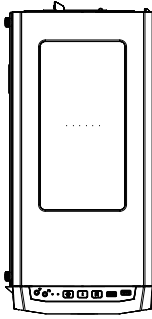




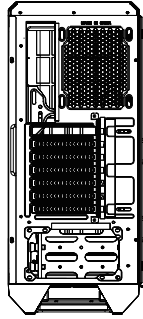
- A** Front Panel
- B** Dust Filter
- C** Fan (120mm)
- D** Tempered Glass Side Panel
- E** Side Panel
- F** Static RGB LED Fan



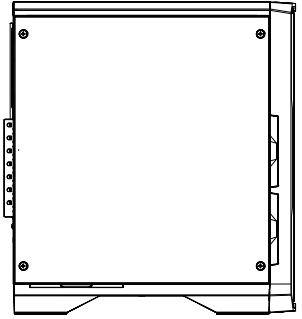
**Front**



**Top**



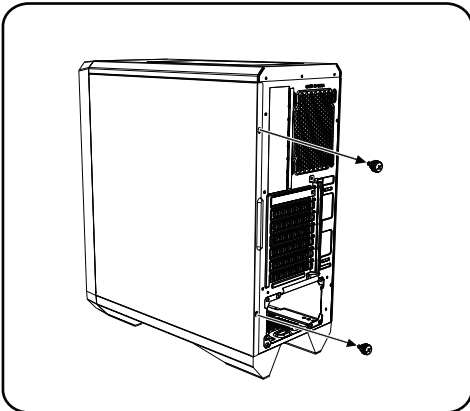
**Back**



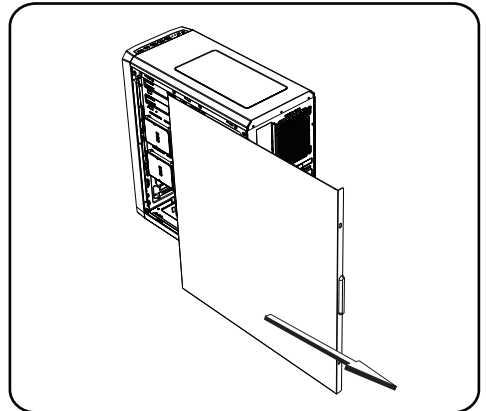
**Side**

## Basic Installation

How to remove the right side panel

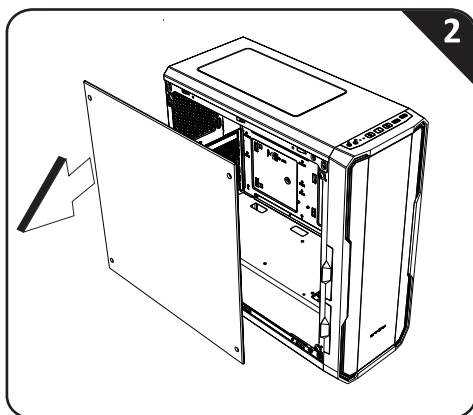
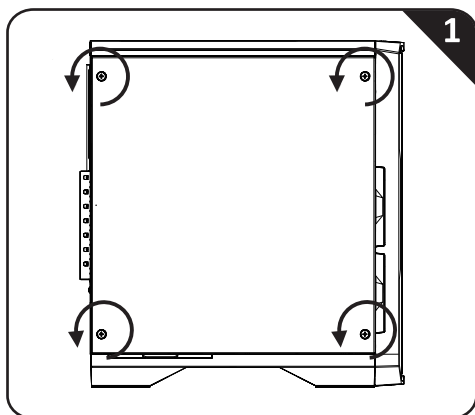


Remove both thumb screws

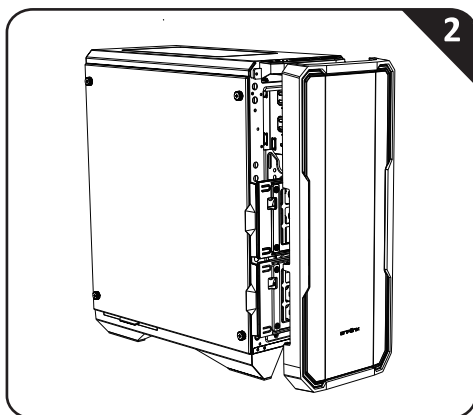
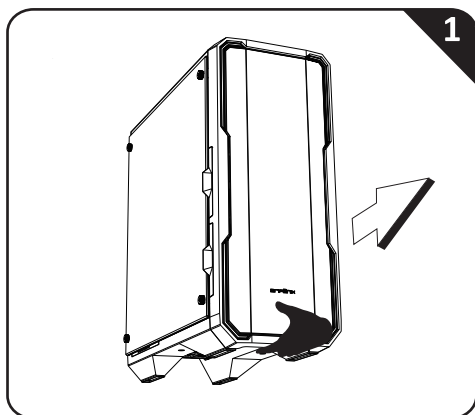


Slide the side panels towards the back of the case

## How to remove the tempered glass side panel



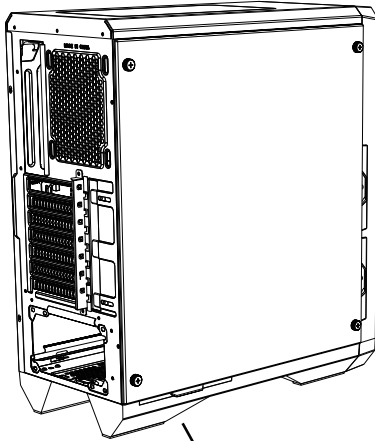
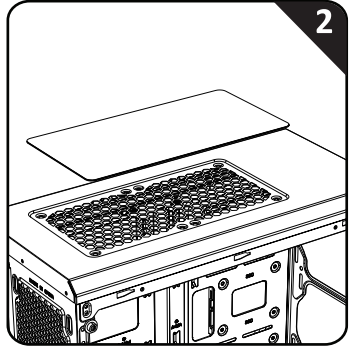
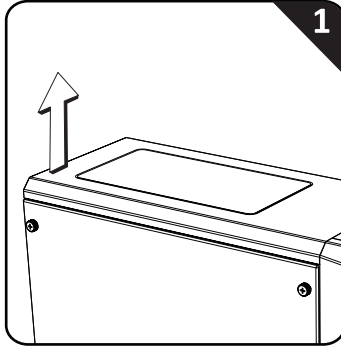
## How to remove the front panel



## How to remove the dust filters

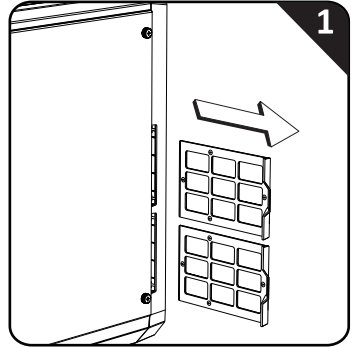
### Top Filter

Pull off the magnetic dust filter



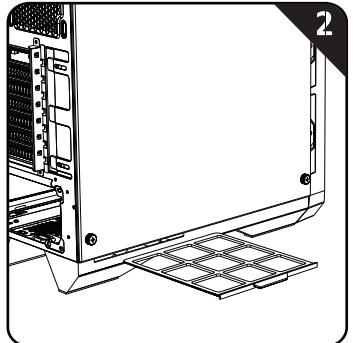
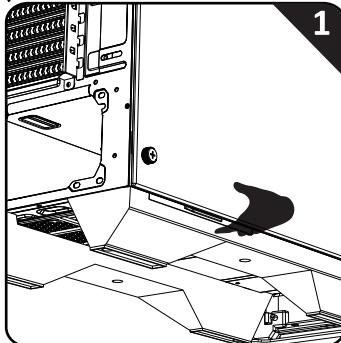
### Front Filter

Pull out the front filters from the side of the front panel

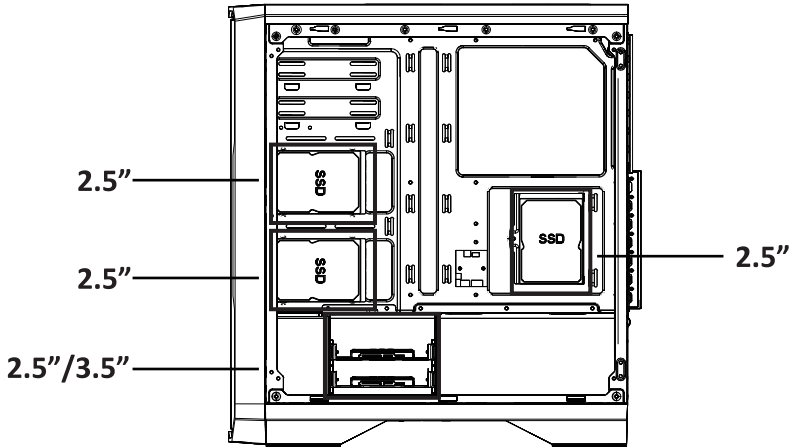


### PSU Filter

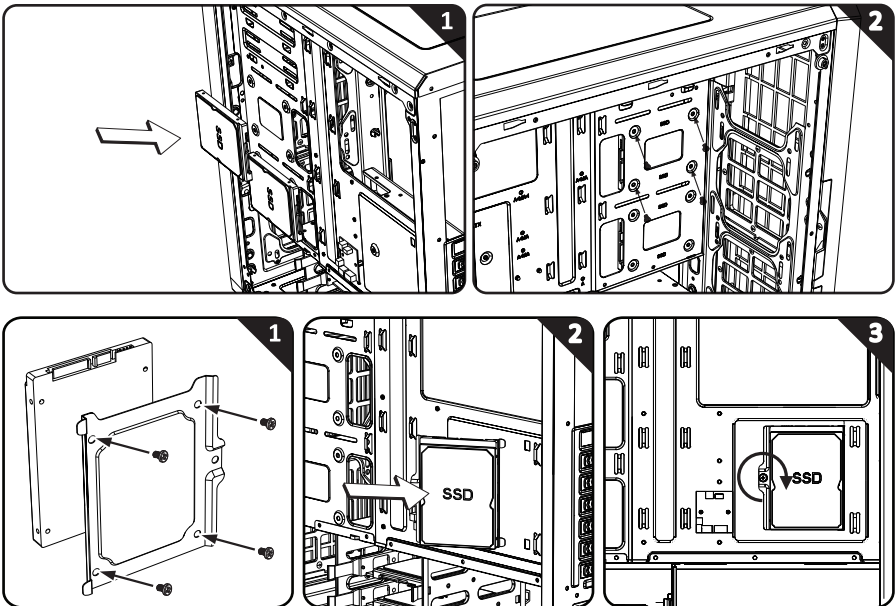
Pull out the PSU filter from the side of the feet



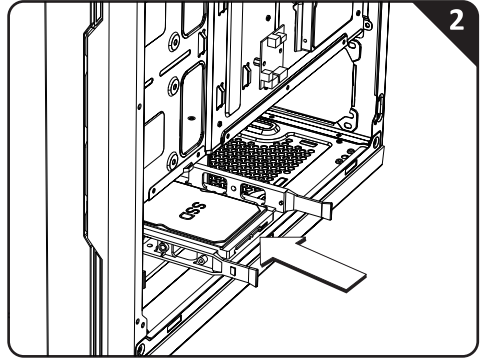
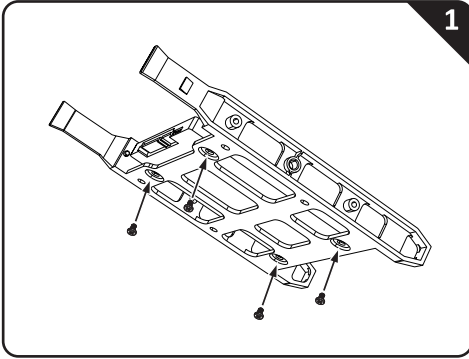
## Drive Locations



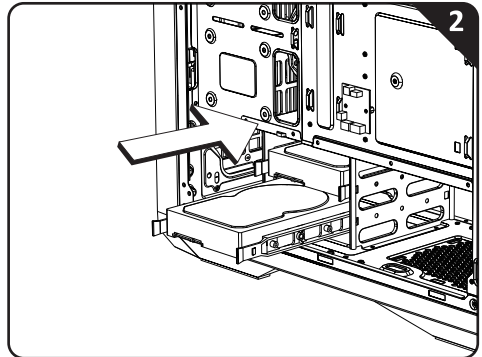
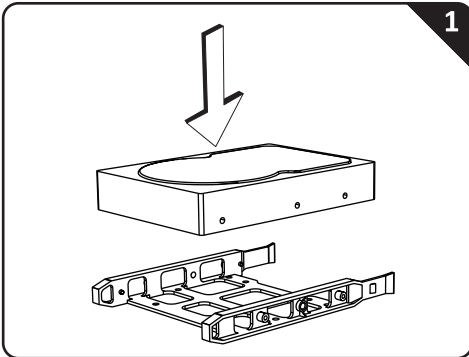
## Installing 2.5" Drives



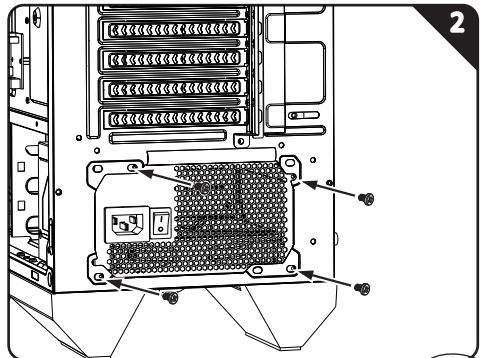
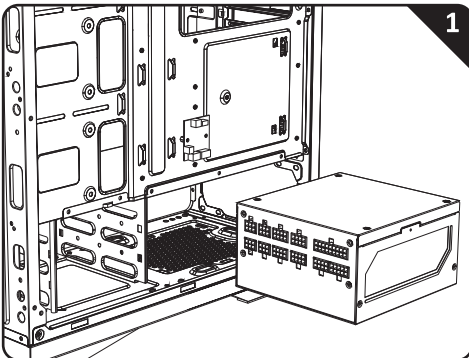
## Installing 2.5" Drives



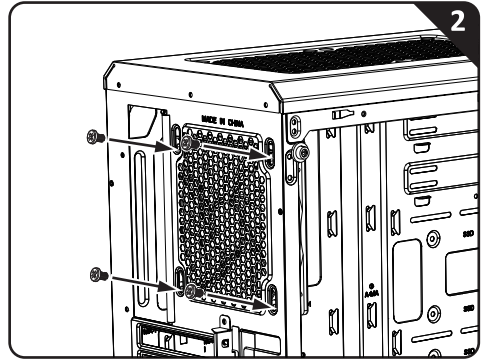
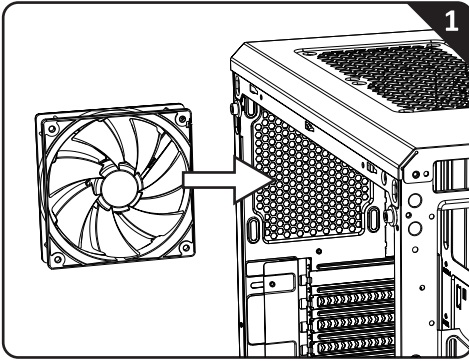
## Installing 3.5" Drives



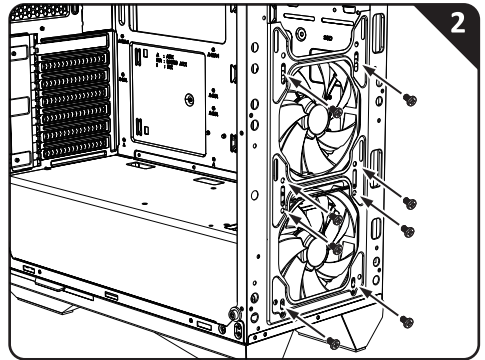
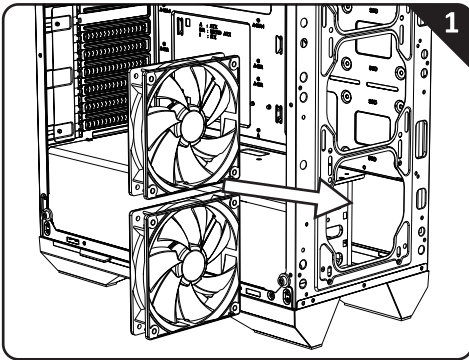
## PSU Installation



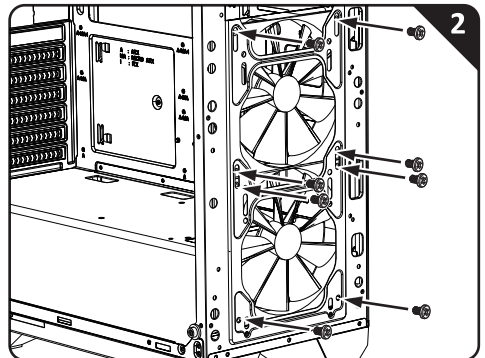
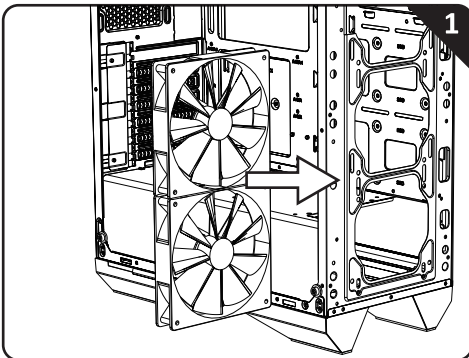
## Back Fan Installation (120mm)



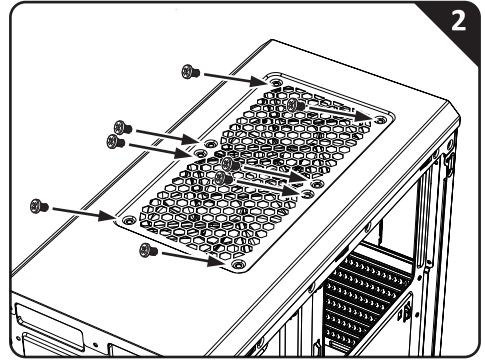
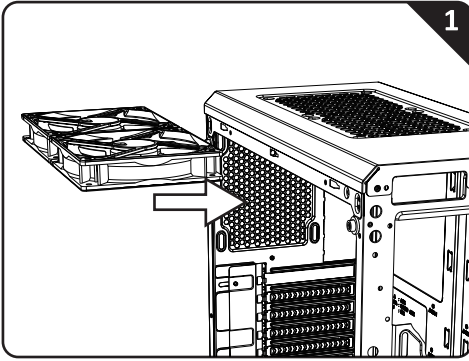
## Front Fan Installation (120mm)



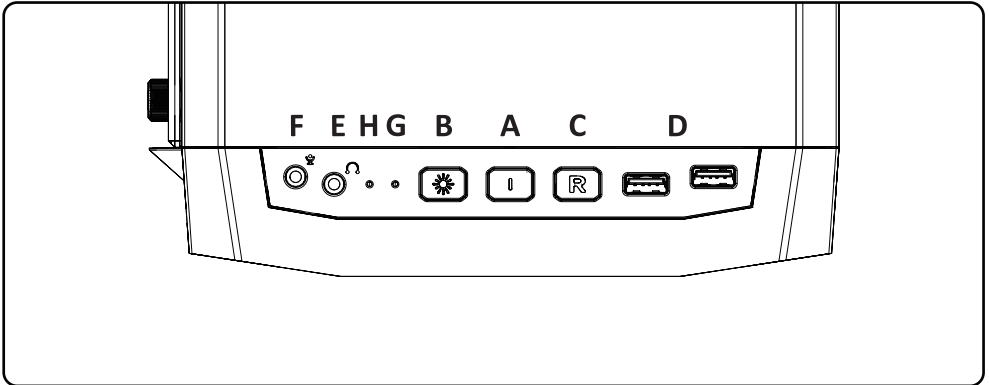
## Front Fan Installation (140mm)



## Top Fan Installation (120mm)



## Control Panel



**A. Power Button**

**B. LED Control Button**

**C. Reset Button**

**D. USB3.0 Port**

**E. Headphone Jack**

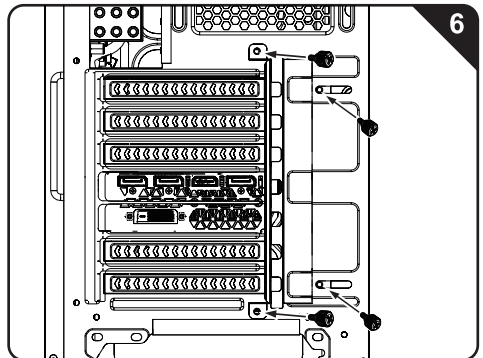
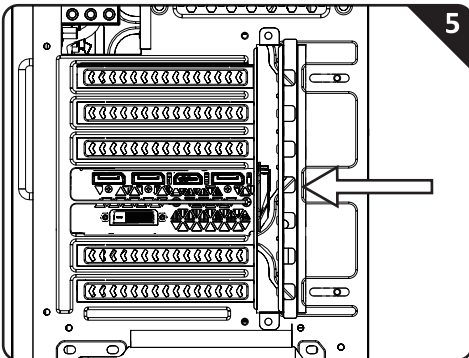
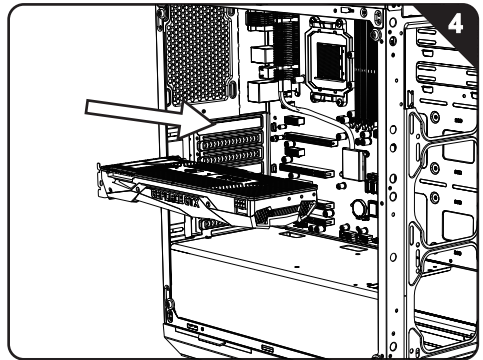
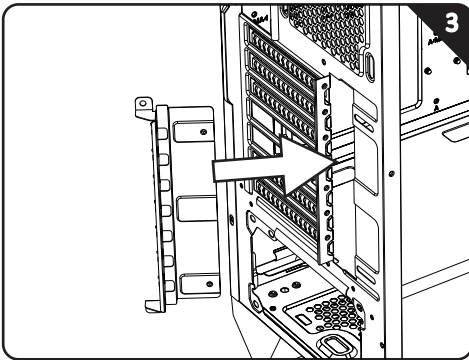
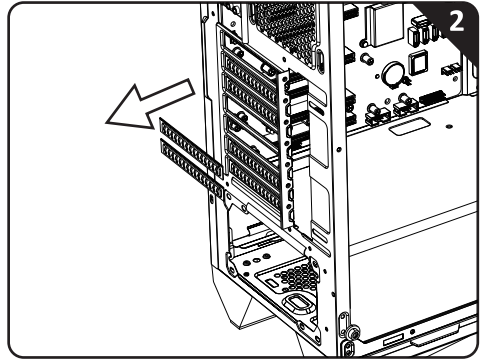
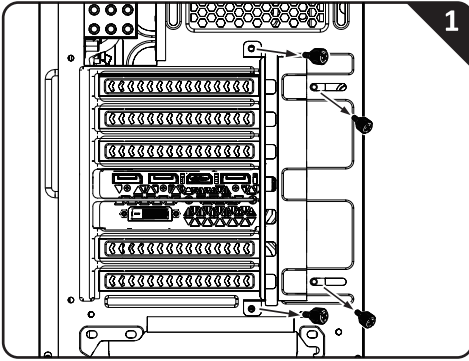
**F. Microphone Jack**

**G. Power LED**

**H. HDD LED**



## PCI-E Card Installation



# BE INVINCIBLE

WWW.BITFENIX.COM



**BitFenix Co., Ltd.**

3F, No.79, Sec. 1, Xintai 5th Rd.,

Xi Zhi District, New Taipei City, Taiwan, R.O.C.

© 2017 BITFENIX Co., Ltd. All Rights Reserved. All trademarks are registered to their respective owners

For the most updated information, please visit our official website : <http://www.bitfenix.com> Ver 1.0 | 2017/09